

# HAGANERACK

*Easy Installation, Persistence, Supreme in Quality*



**HaganeRack**  
Network Cabinet Solutions



[www.hagane rack.com](http://www.hagane rack.com)

| +62 852 1000787

| +62 567 4064

| [cs@hagane rack.com](mailto:cs@hagane rack.com)



**DOORS :** front glass door / perforated door , handle lock solid metal door frame , back solid metal door, small lock removable side panels , optional lock.

**MATERIAL :** spcc cold rolled steel or eg steel

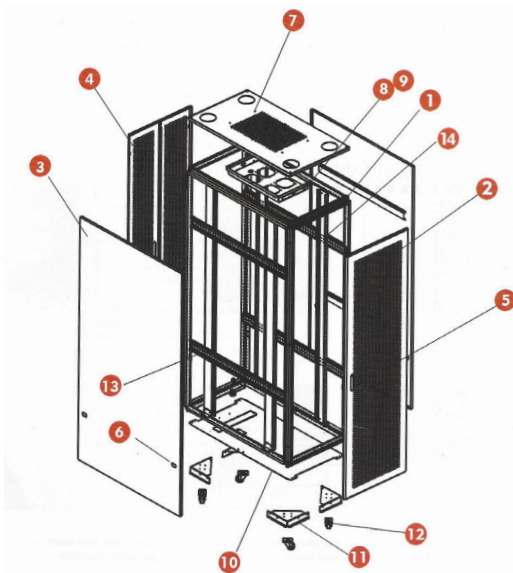
**IP DEGREE :** ip20

**APPLICATION :** brand servers/ built-up server - dvr - routers - switches - patch panels - cctv - security - telephone equipment - pabx - it equipment - power supply - lcd kvm 19"

**DESCRIPTION :** the rack server 19" etsi standards with spcc cold rolled steel or eg steel as based material and treatment smooth on surface rack (powder coated body).

**LOAD SPACE :** up to 800 kg

**COLOR :**  Black Jet  Super White



NO	PART NAME	600 WIDTH	TREATMENT	NOTE
1	Frame	2	Powder Coating	
2	Front Door	1	-	Vented Frame
3	Side Door	2	Powder Coating	Removable
4	Back Door	2	Powder Coating	
5	Handle Lock	1	-	
6	Cylinder Lock	1	-	
7	Top Cover	1	Powder Coating	
8	Fan Tray	1	Powder Coating	
9	Ac Fan	2 or 4	-	
10	Bottom Panel	1	Powder Coating	
11	Earthing Bolts	1	-	25 cm
12	Castors Tray	4	Powder Coating	
13	Castors	4	-	
14	Adjustable feet	4	Brass Plated	M10 x 120
15	Mounting Angle	6	Powder Coating	
16	Mounting Profile	4	Powder Coating	

### List Product for Standing Close Rack 19"

NAME	WIDTH	DEPTH	U	HEIGHT
HR188G	600	800	18	900
HR229G			22	1120
HR328G			32	1523
HR428G			42	1967
HR458G			45	2100

### Detail Picture of Products



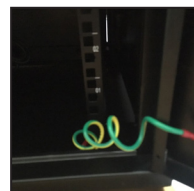
Fan



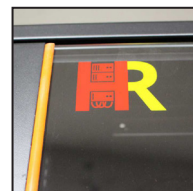
42U



Fixed Shelf



Earth Cable



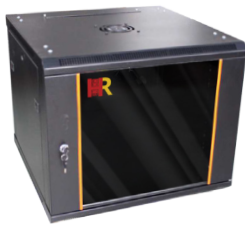
Logo & List



Handle Door



Wheel



**WALLMOUNT SINGLE DOOR WITH GLASS DOOR**



**WALLMOUNT SOHO WITH FULL GLASS DOOR**



**WALLMOUNT SOHO WITH GLASS DOOR BORDER**

**DOORS :** front lockable glass door, solid metal door frame, rear solid metal panel, removable side panels, optional lock.

**MATERIAL :** SPCC cold rolled steel or eg steel.

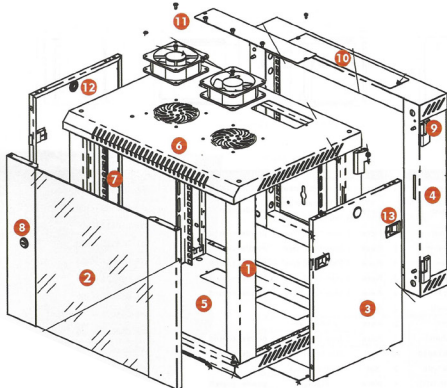
**IP DEGREE :** IP20

**APPLICATION :** small/ medium server - dvr - routers - switches - patch panels - cctv - security - telephone equipment - pbx - it equipment - power supply - lcd kvm 19"

**DESCRIPTION :** the rack server 19" single/double door etsi standards with SPCC cold rolled steel or eg steel as based material and treatment smooth on surface rack (powder coated body).

**LOAD SPACE :** up to 60 kg

**COLOR :**  Black Jet  Super White



NO	PART NAME	QTY	UNIT	TREATMENT
1	Frame	1	Piece	Powder coated
2	Front Door	1	Piece	Powder coated
3	Side Door	2	Piece	Powder coated
4	Bottom	1	Piece	Powder coated
5	Top	1	Piece	Powder coated
6	Mounting Profile	4	Piece	Powder coated
7	Small Lock	2	Piece	-
8	Wiring Panel	1	Piece	Powder coated
9	M6	20	Piece	Powder coated
10	Side Lock	2	Piece	-
11	Quick open latch	4	Piece	Powder coated

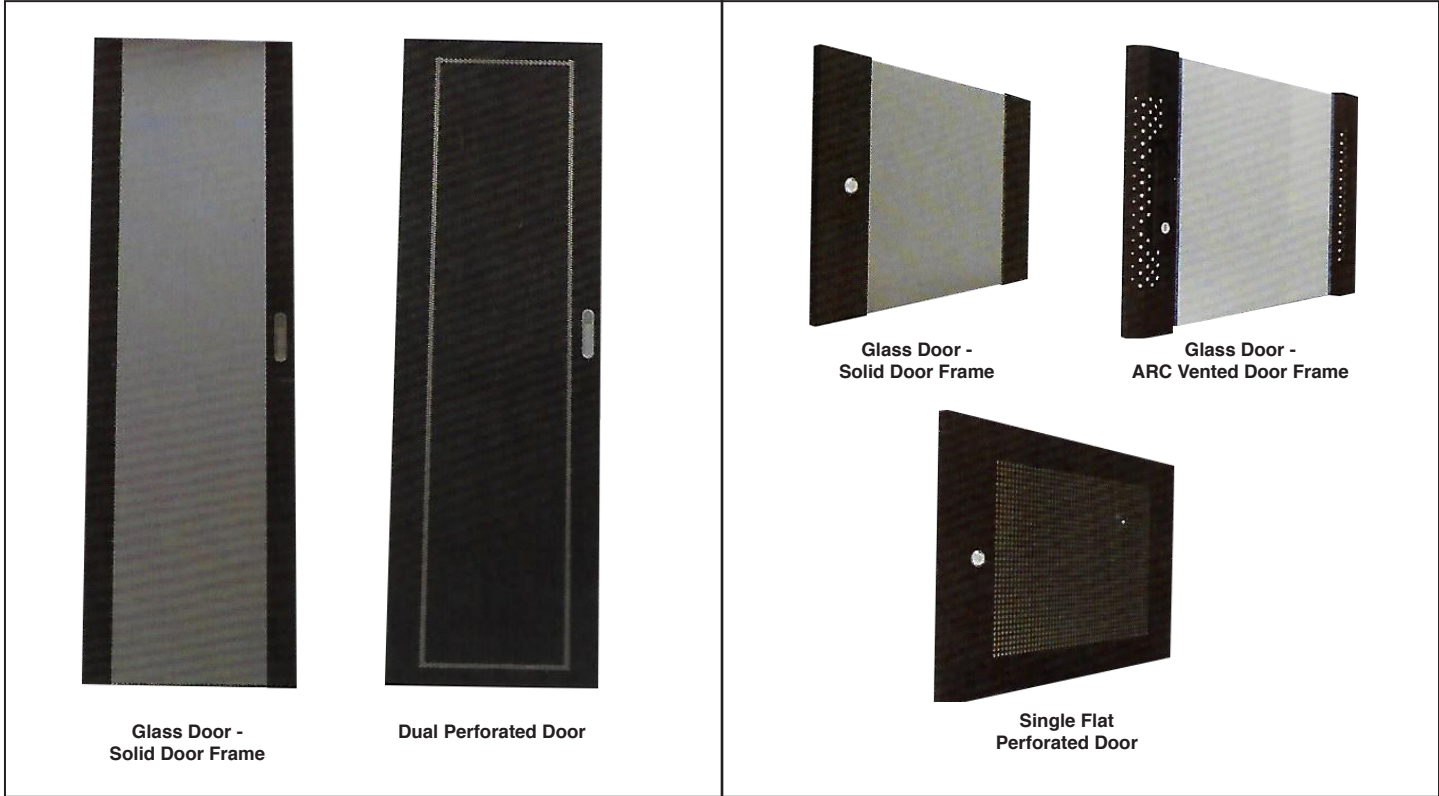
### List Product for Wallmount Series

NAME	WIDTH	DEPTH	U	HEIGHT	
HRWO635SD	300	350	6	360	
HRWO935SD			9	500	
HRWO1235SD			12	650	
HRWO625SD	600	250	6	360	
HRWO1225SD			12	650	
HRWO630SD		300	6	360	
HRWO1230SD			12	650	
HRW445SDG		450	600	4	250
HRW645SDG				6	360
HRW945SDG	9			500	
HRW1245SDG	12			650	
HRW1545SDG	15			770	
HRW960SDG	9			360	
HRW1260SDG	600	600	12	500	
HRW1560SDG			15	650	

**DOOR OPTION AND RACK ACCESSORIES**

**Door Option Series for Close Rack**

**Door Option For Wallmount**



Glass Door - Solid Door Frame

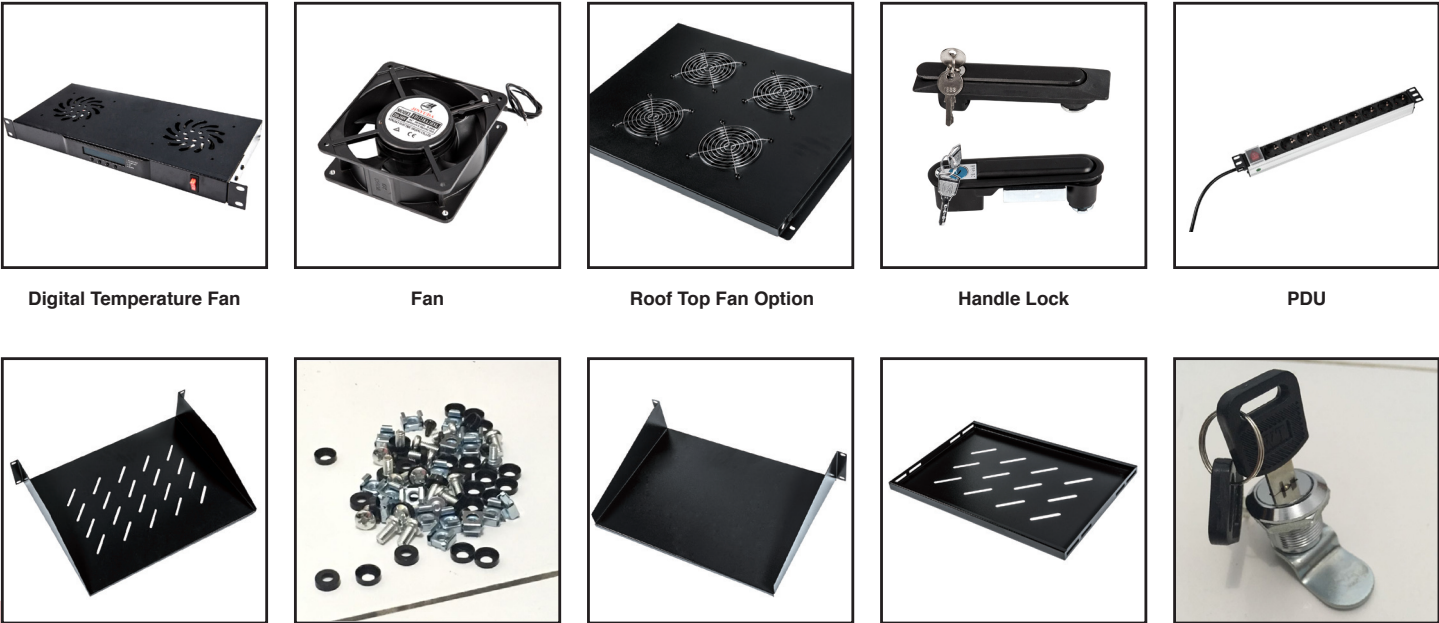
Dual Perforated Door

Glass Door - Solid Door Frame

Glass Door - ARC Vented Door Frame

Single Flat Perforated Door

**Rack Accessories**



Digital Temperature Fan

Fan

Roof Top Fan Option

Handle Lock

PDU

Cantilever Shelf A

Bolt and Nuts

Cantilever Shelf B

Fixed Shelf

Round Lock